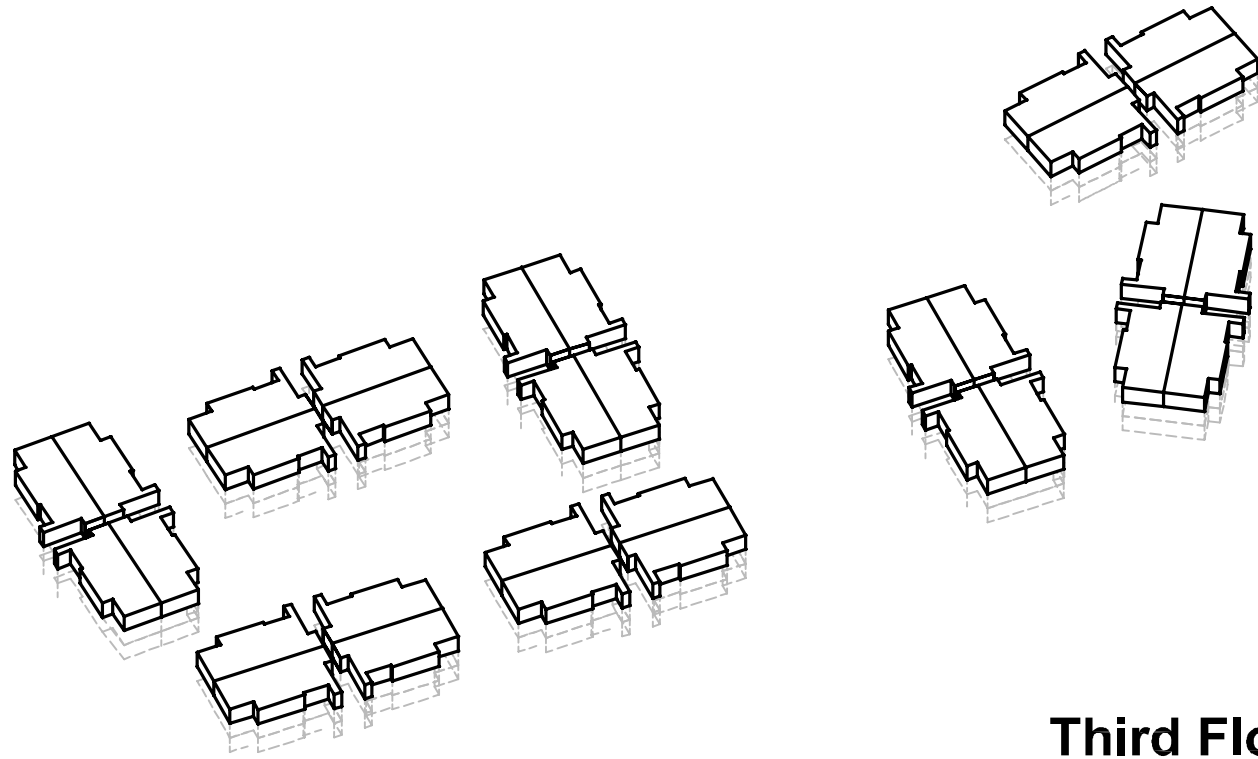
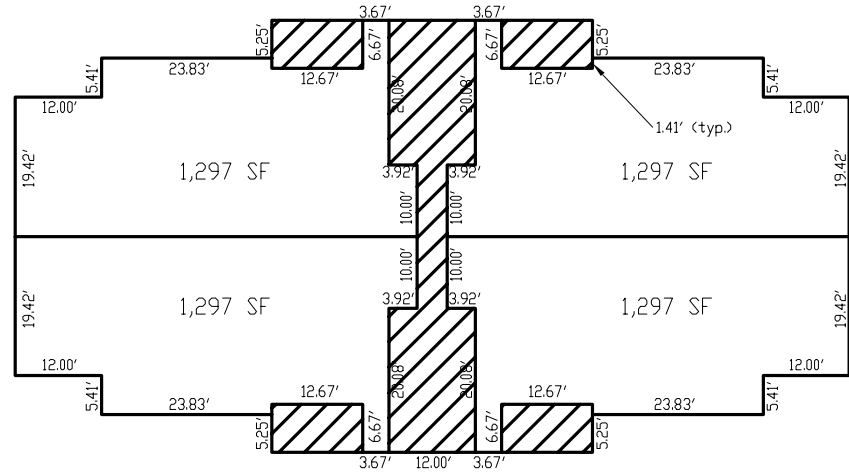


Riverside Condominiums Phase 1

Address: 1025 Opal Dr.
Units: A - H



Third Floor

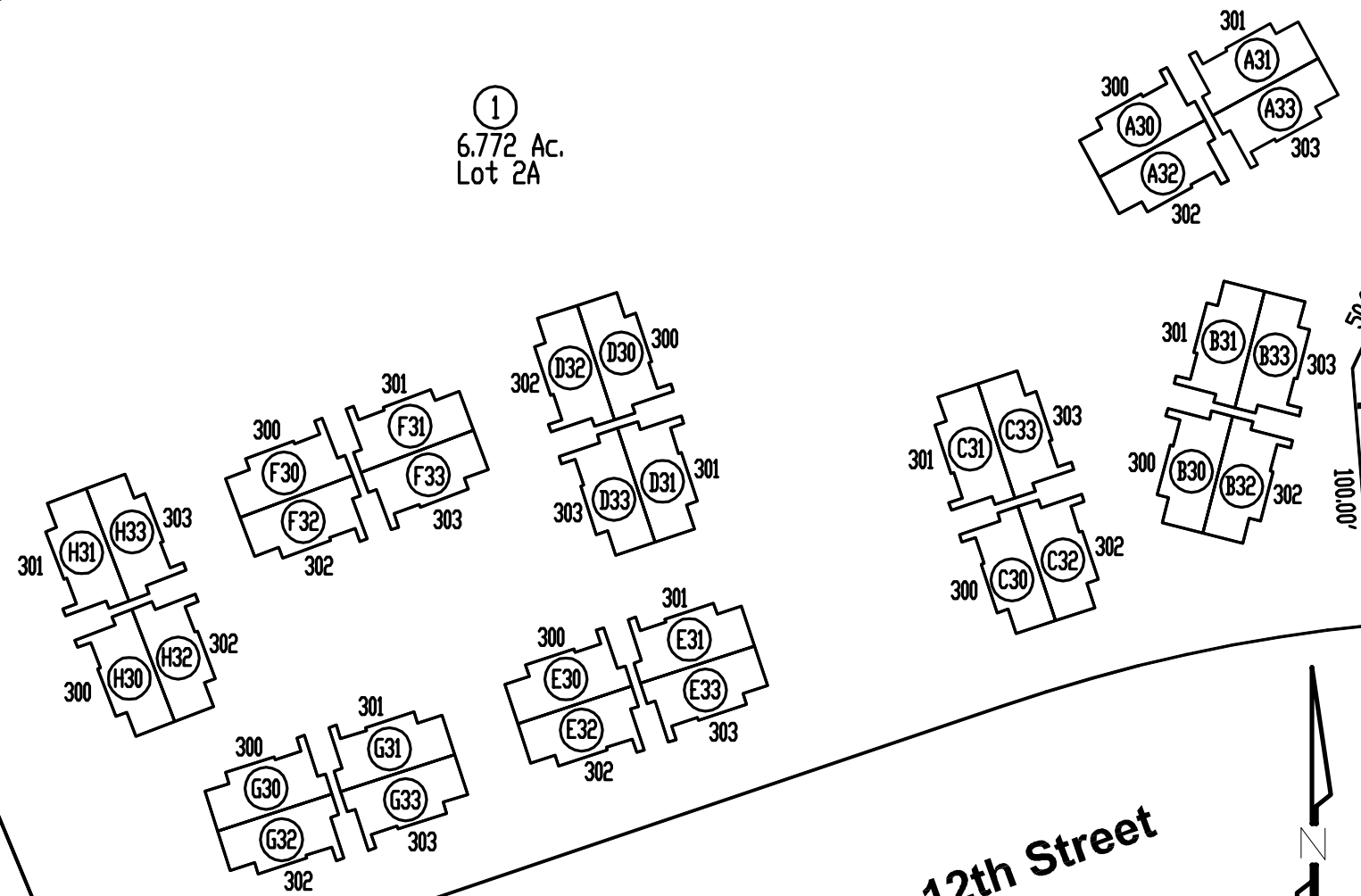


Typical Building

LIMITED COMMON AREA

①
6.772 Ac.
Lot 2A

②
2.787 Ac.
Lot 2B



12th Street

Opal Drive

Opal Drive

20.00'

355.07'

454.89'

319.69'

612.55'

345.49'

811.21'

355.87'

50.00'

100.00'