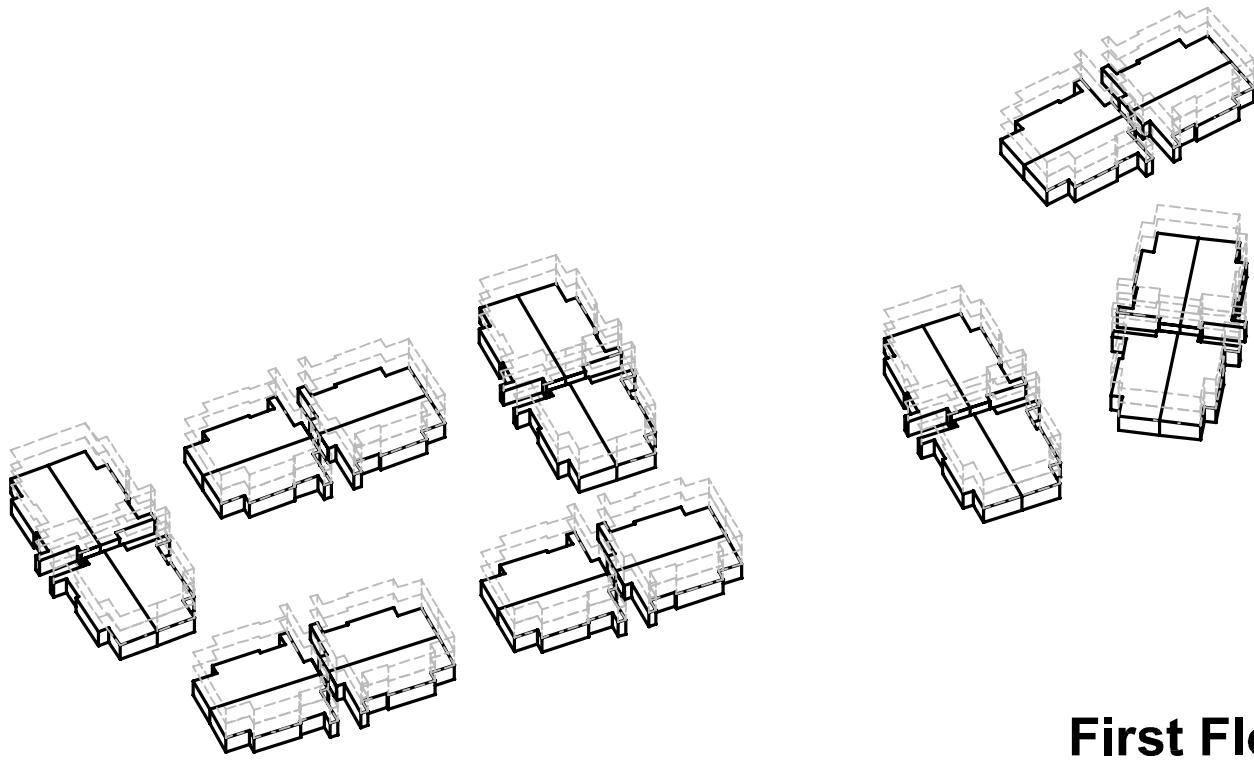


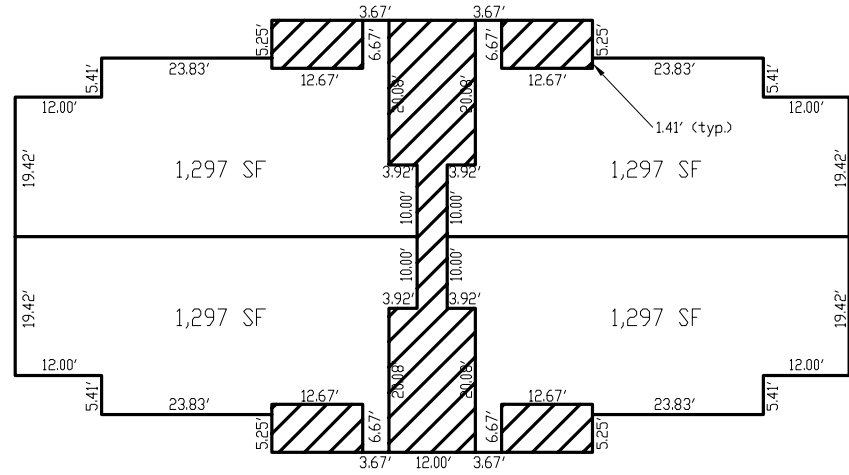
# Riverside Condominiums Phase 1

Opal Drive

Address: 1025 Opal Dr.  
Units: A - H



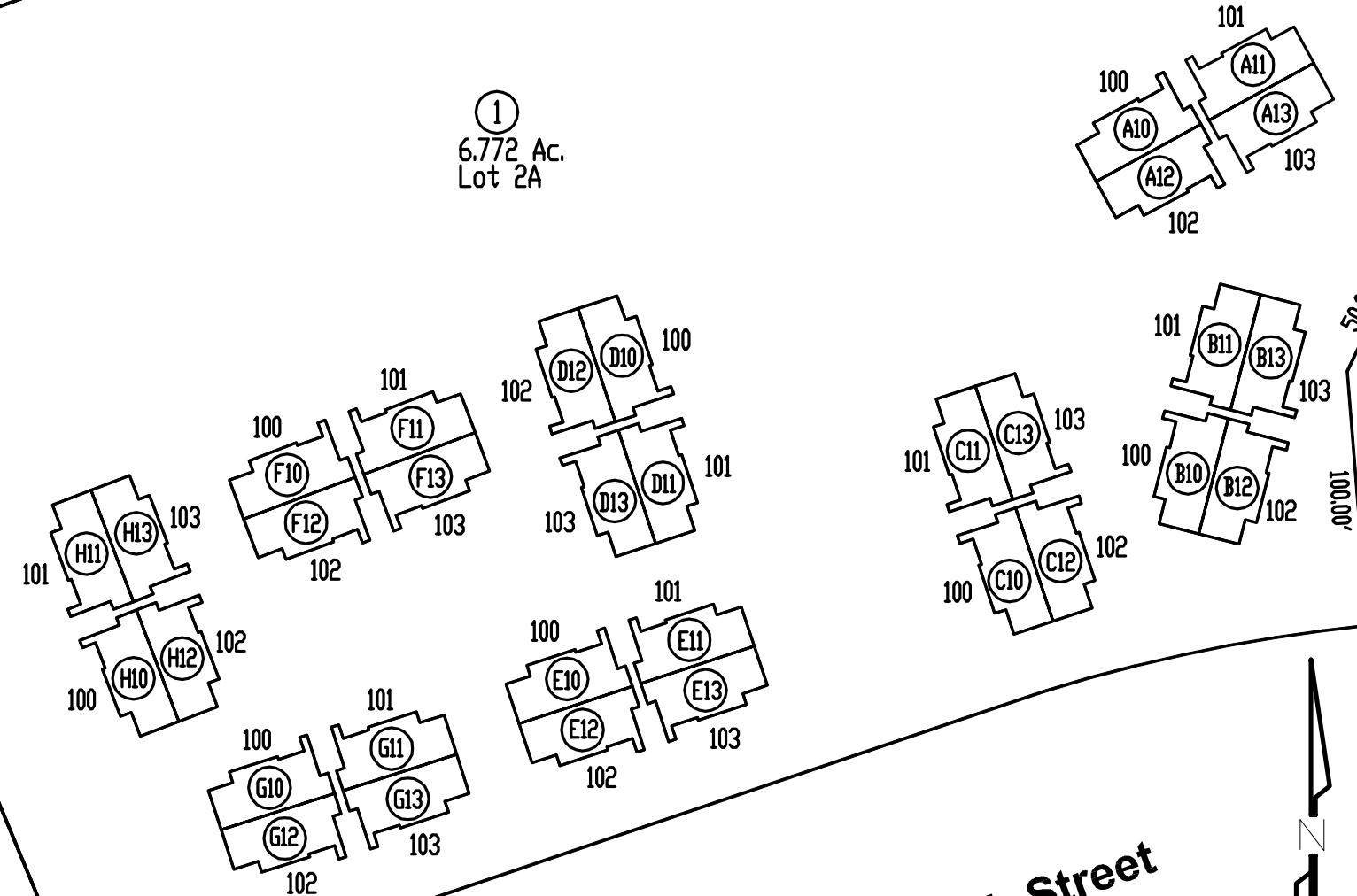
First Floor



Typical Building

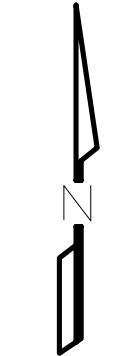
①  
6.772 Ac.  
Lot 2A

②  
2.787 Ac.  
Lot 2B



Opal Drive

12th Street



scale 1"=80'